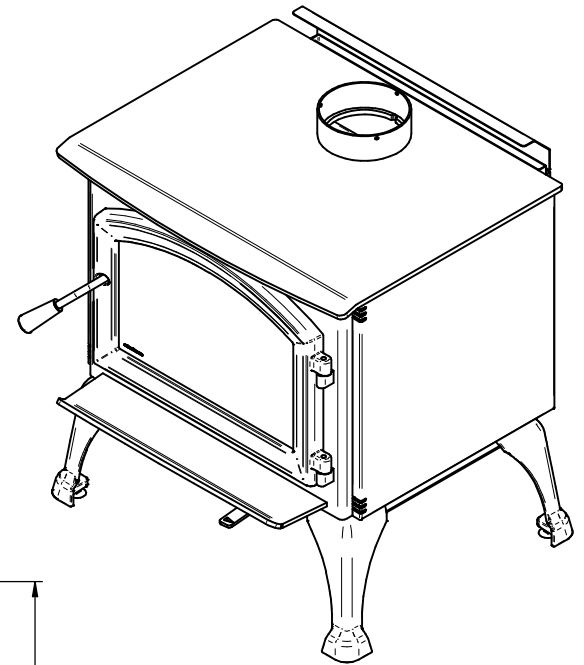
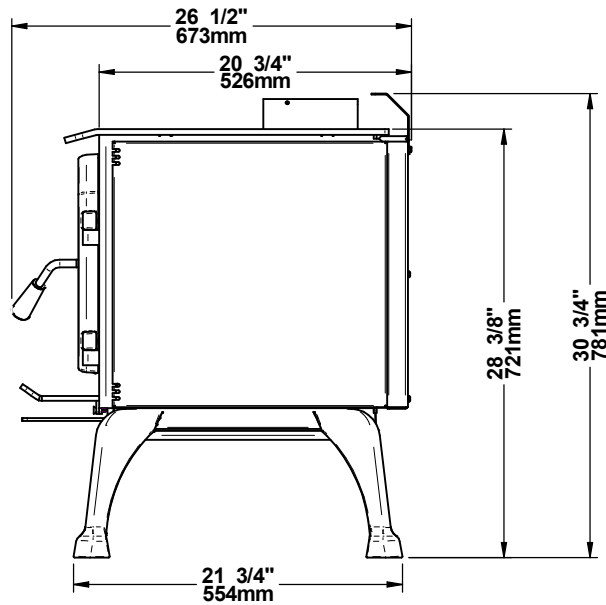
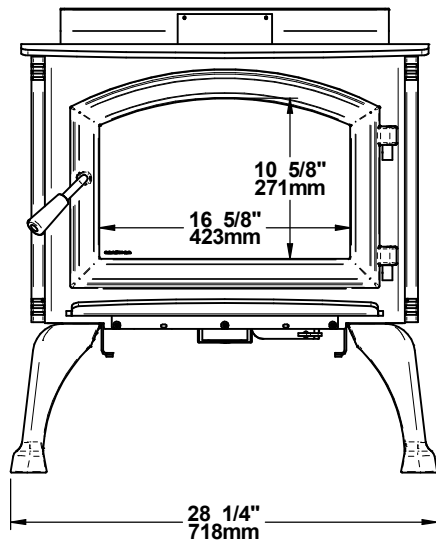
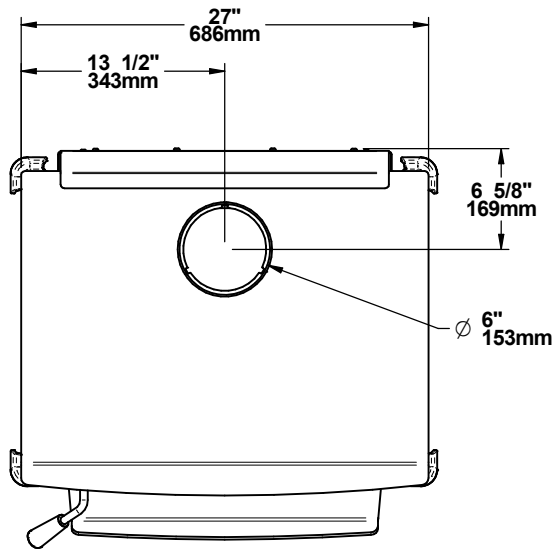


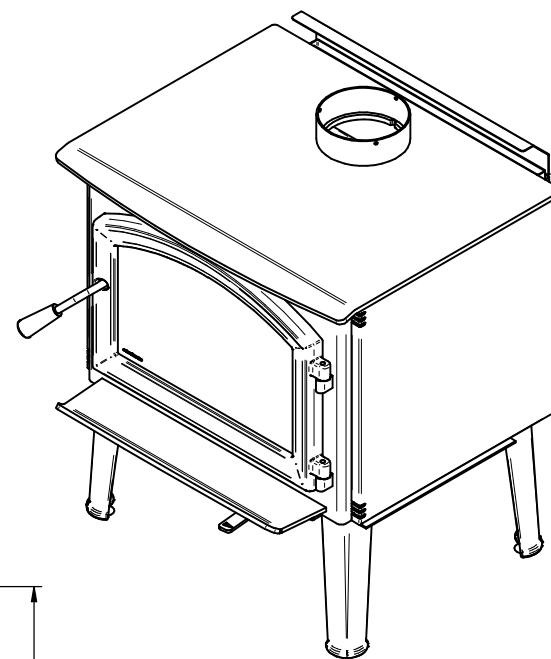
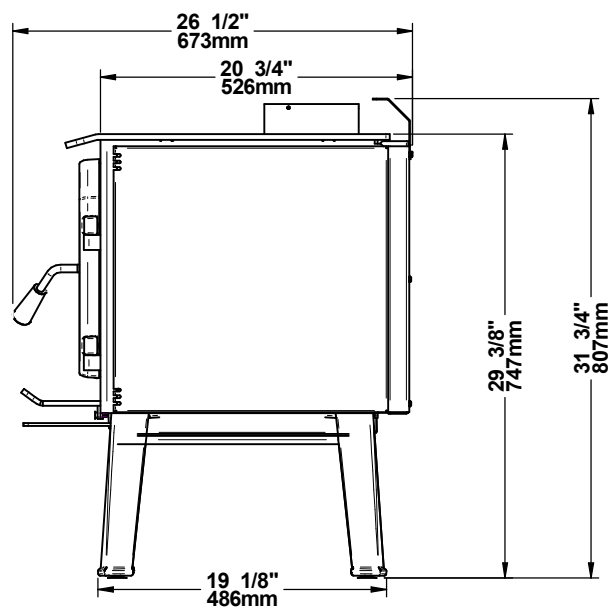
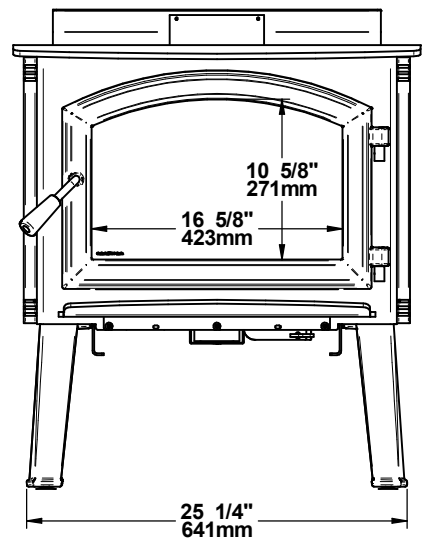
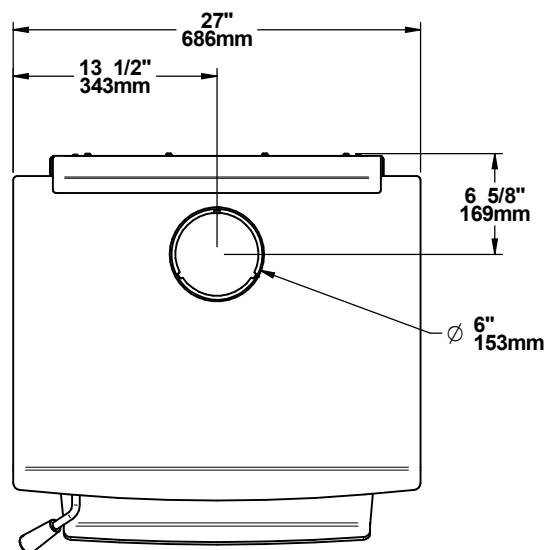
SOLUTION 2.3 (EB00063)
 PATTES/LEGS (AC01293 / AC01294)

© 2021, FABRICANT DE POÊLES INTERNATIONAL INC. TOUS DROITS RESERVÉS / ALL RIGHTS RESERVED



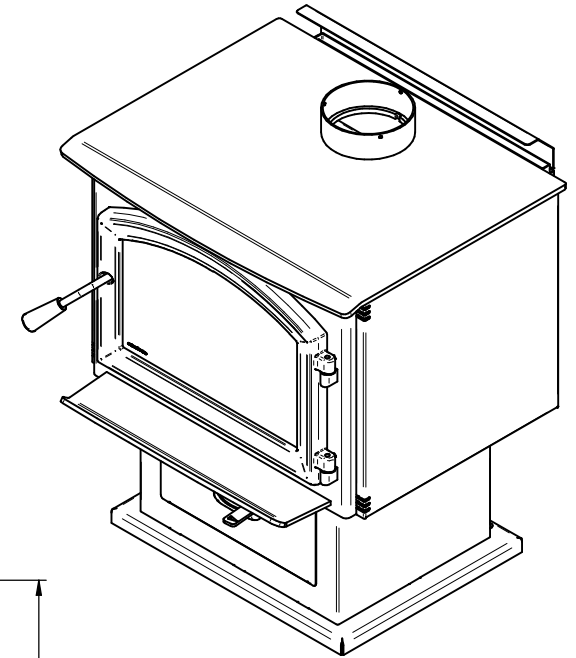
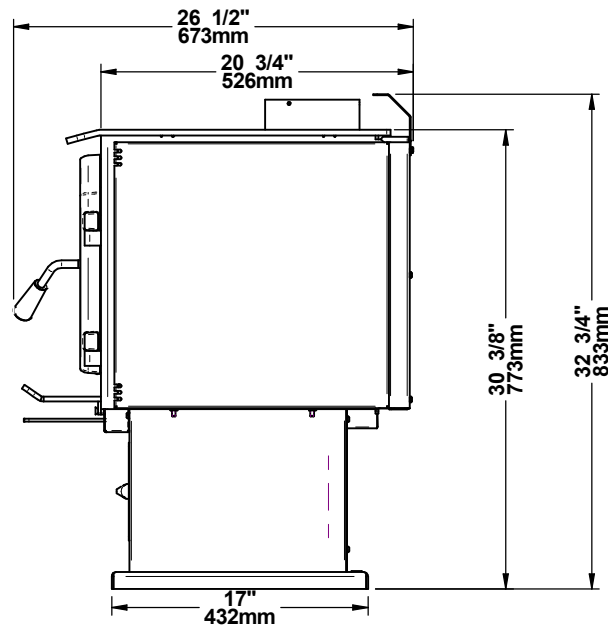
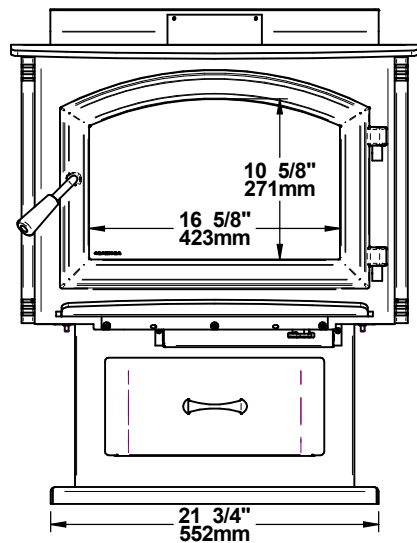
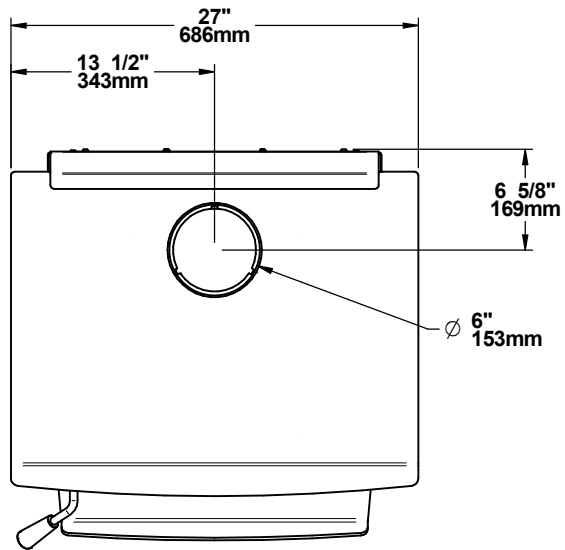
SOLUTION 2.3 (EB00063)
 PATTES/LEGS (AC01206 / AC01208)

© 2021, FABRICANT DE POÊLES INTERNATIONAL INC. TOUS DROITS RESERVÉS / ALL RIGHTS RESERVED



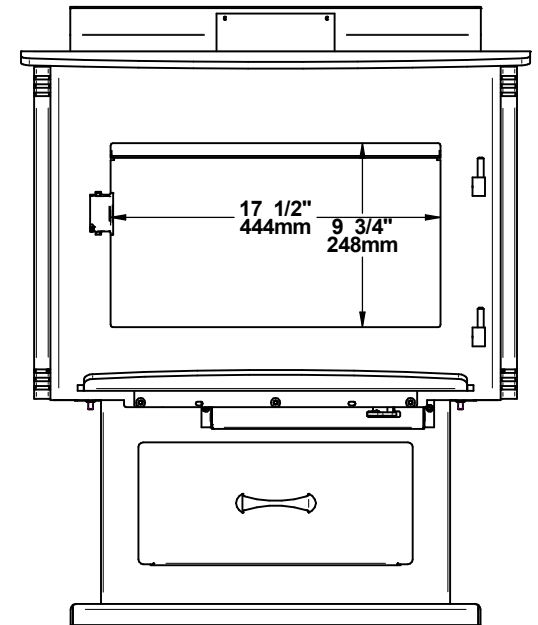
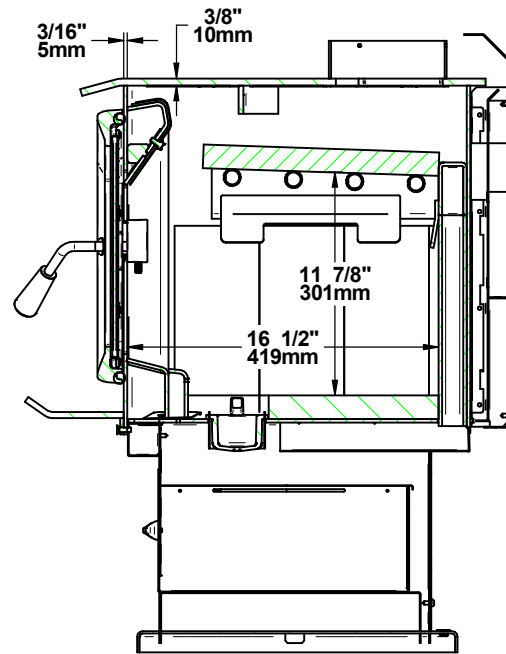
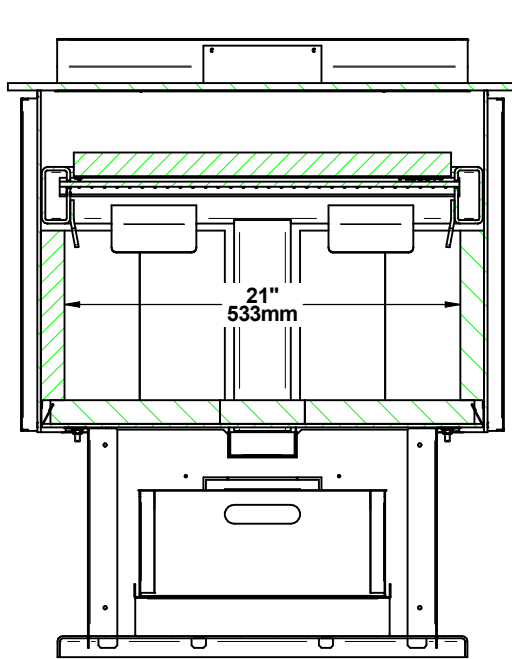
SOLUTION 2.3 (EB00063)
PATTES/LEGS (AC01295 / AC01296)

© 2021, FABRICANT DE POÊLES INTERNATIONAL INC. TOUS DROITS RESERVÉS / ALL RIGHTS RESERVED



SOLUTION 2.3 (EB00063)
 PIÉDESTAL / PEDESTAL (AC01124)

© 2021, FABRICANT DE POÊLES INTERNATIONAL INC. TOUS DROITS RESERVÉS / ALL RIGHTS RESERVED



SOLUTION 2.3 (EB00063)
CHAMBRE À COMBUSTION / COMBUSTION CHAMBER
© 2021, FABRICANT DE POÊLES INTERNATIONAL INC. TOUS DROITS RESERVÉS / ALL RIGHTS RESERVED